

## PowerSpot LED

### 2W & 4W 12Vdc MR11 GU4 Lamp



#### Product Overview

Kosnic's range of PowerSpot lamps are suitable for the most demanding of professional users and deliver huge energy savings over halogen lamps, without compromising on brightness. The lamps can replace common halogen lamps creating an ambience in accent and general lighting applications for hospitality, commercial and domestic applications, and once in place rapid payback is achieved.

#### Features

- Save energy up to 85% compared with halogen lamp.
- Replacement for MR11 GU4 halogen lamp.
- Requires 12Vdc constant voltage LED driver.
- High lumen output.
- Long life of 15,000h.
- Instant start.
- Negligible UV output.
- Mercury free.

#### Safety and Maintenance

- Switch off supply before installing or removing lamp. Allow to cool before handling.
- Do not use in totally enclosed fittings as this will reduce lamp life.
- Do not dispose of in household waste.
- Dispose of in appropriate section of local civic amenity site or recycling centre.

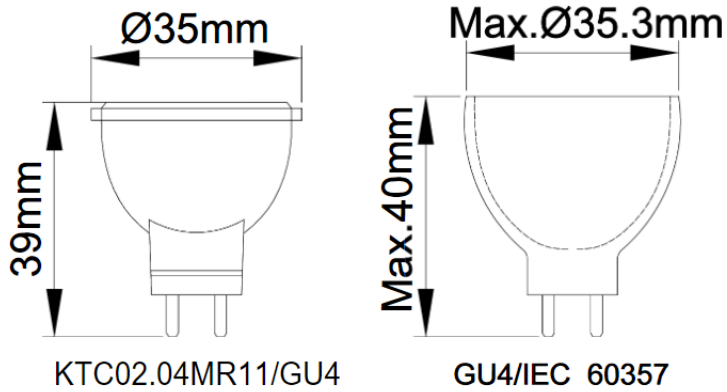
### Specifications

Product Code	<b>MR1102-S30</b> (KTC02MR11/GU4-S30)	<b>MR1102-S40</b> (KTC02MR11/GU4-S40)	<b>MR1102-S65</b> (KTC02MR11/GU4-S65)
Voltage	12Vdc	12Vdc	12Vdc
Current (mA)	167	167	167
Rated Power (W)	2	2	2
Power Factor	1	1	1
Luminous Flux (lm)	240	240	240
Lifetime (L70B50) (h)	15000	15000	15000
Blue Light Hazard	RG1	RG1	RG1
Glow Wire Temperature (°C)	650	650	650
Dimensions (LxWxD) (mm)	39 x 35 ø	39 x 35 ø	39 x 35 ø
Weight (Kg)	0.014	0.014	0.014
Lighting Technology used	LED	LED	LED
Directional / Non-Directional	DLS	DLS	DLS
Cap Type / interface	GU4	GU4	GU4
Mains / Non-Mains	NMLS	NMLS	NMLS
Connected Light Source	No	No	No
Colour Tuneable Lightsource	No	No	No
High luminance light source	No	No	No
Anti-glare shield	No	No	No
Dimmable	No	No	No
CCT	3000k Warm White	4000k Cool White	6500k Day Light
Energy Consumption in on-mode (kWh/1000h)	2	2	2
Energy Efficiency Class	F	F	F
Useful Luminous Flux (lm)	210	210	210
Beam Angle Correspondence (°)	90	90	90
On-mode power (Pon) (W)	2	2	2
Standby power (Psb) (W)	0	0	0
Networked standby power (Pnet) (CLS only)	N/A	N/A	N/A
CRI	82	82	82
Claim of equivalent power	Yes	Yes	Yes
Equivalent power (W)	23	23	23
Chromacity Coordinates	0.438(x), 0.401(y)	0.380(x), 0.379(y)	0.320(x), 0.348(y)
Peak luminous intensity (DLS) (cd)	250	250	250
Beam angle (DLS)	50	50	50
R9 CRI value (LED/OLED)	2	10	-3
Survival Factor	0.9	0.9	0.9
Lumen maintenance factor	0.93	0.93	0.93
Displacement factor (Mains LED/OLED)	N/A	N/A	N/A
Colour consistency in mcadam ellipses (Mains LED/OLED)	N/A	N/A	N/A
LED light source rep. a fluorescent light source without integrated ballast of a particular wattage (Mains LED/OLED)	N/A	N/A	N/A
Rep. W claim (MainsLED/OLED)	N/A	N/A	N/A
Flicker (pst LM) (Mains LED/OLED)	N/A	N/A	N/A
Stroboscopic effect metric(SVM)	N/A	N/A	N/A
Ambient Temperature (°C)	-20 to 40	-20 to 40	-20 to 40

### Specifications

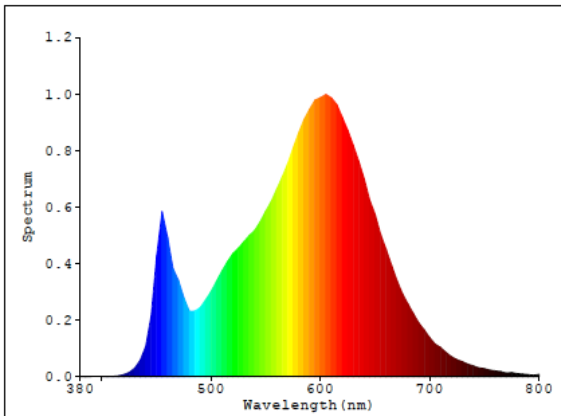
Product Code	<b>MR1104-S30</b> (KTC04MR11/GU4-S30)	<b>MR1104-S40</b> (KTC04MR11/GU4-S40)	<b>MR1104-S65</b> (KTC04MR11/GU4-S65)
Voltage	12Vdc	12Vdc	12Vdc
Current (mA)	333	333	333
Rated Power (W)	4	4	4
Power Factor	1	1	1
Luminous Flux (lm)	320	320	320
Lifetime (L70B50) (h)	15000	15000	15000
Blue Light Hazard	RG1	RG1	RG1
Glow Wire Temperature (°C)	650	650	650
Dimensions (LxWxD) (mm)	39 x 35 ø	39 x 35 ø	39 x 35 ø
Weight (Kg)	0.014	0.014	0.014
Lighting Technology used	LED	LED	LED
Directional / Non-Directional	DLS	DLS	DLS
Cap Type / interface	GU4	GU4	GU4
Mains / Non-Mains	NMLS	NMLS	NMLS
Connected Light Source	No	No	No
Colour Tuneable Lightsource	No	No	No
High luminance light source	No	No	No
Anti-glare shield	No	No	No
Dimmable	No	No	No
CCT	3000k Warm White	4000k Cool White	6500k Day Light
Energy Consumption in on-mode (kWh/1000h)	4	4	4
Energy Efficiency Class	G	G	G
Useful Luminous Flux (lm)	290	290	290
Beam Angle Correspondence (°)	90	90	90
On-mode power (Pon) (W)	4	4	4
Standby power (Psb) (W)	0	0	0
Networked standby power (Pnet) (CLS only)	N/A	N/A	N/A
CRI	82	82	82
Claim of equivalent power	Yes	Yes	Yes
Equivalent power (W)	30	30	30
Chromacity Coordinates	0.438(x), 0.401(y)	0.380(x), 0.379(y)	0.320(x), 0.348(y)
Peak luminous intensity (DLS) (cd)	300	300	300
Beam angle (DLS)	50	50	50
R9 CRI value (LED/OLED)	2	10	-3
Survival Factor	0.9	0.9	0.9
Lumen maintenance factor	0.93	0.93	0.93
Displacement factor (Mains LED/OLED)	N/A	N/A	N/A
Colour consistency in mcadam ellipses (Mains LED/OLED)	N/A	N/A	N/A
LED light source rep. a fluorescent light source without integrated ballast of a particular wattage (Mains LED/OLED)	N/A	N/A	N/A
Rep. W claim (MainsLED/OLED)	N/A	N/A	N/A
Flicker (pst LM) (Mains LED/OLED)	N/A	N/A	N/A
Stroboscopic effect metric(SVM)	N/A	N/A	N/A
Ambient Temperature (°C)	-20 to 40	-20 to 40	-20 to 40

## Dimensions

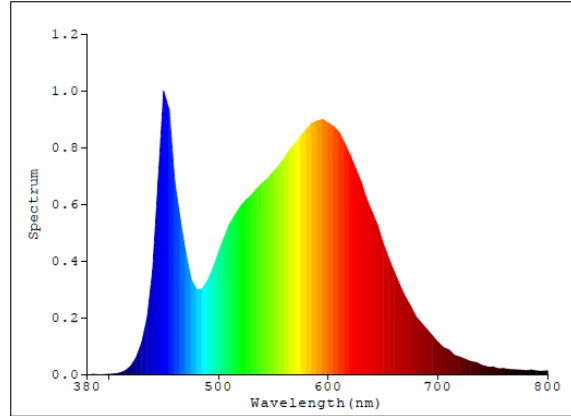


## Photometric Information

3000K



4000K



6500K

